

Features

- RoHS compliant* versions available
- Overvoltage/lightning protection to ITU-T K.20
- Standard “off-the-shelf” design
- Typical application is secondary protection on telecom line cards

4A12P-506-500 - Surge Line Protection Module

Matched Pair of Resistors plus Thermal Fuse

Electrical Characteristics

Resistance Values (R1 = R2).....	50 Ω
Resistance Tolerance.....	±1 %
TCR.....	100 ppm/°C
Ratio Tolerance.....	±0.5 %
Power Dissipation (per resistor) @ 25 %.....	2 W
Temperature Range.....	-40 °C to +85 °C

Physical Characteristics

Body Style.....	Dual in line SMD - twin pack
Substrate Material.....	96 % Alumina
Lead Frame Material.....	Copper, solder coated
Flammability.....	Conforms to UL94V-0
Processability.....	Unit is only suitable for no-clean processing
Convection Reflow.....	Unit will withstand 260 °, 20 seconds
Packaging.....	16 “ diameter reels, 44mm tape, 250 pcs./reel

Functional Characteristics

Lightning Surge Test.....	10 x 700 μSec, 1 KV
Power Induction.....	300 Vrms
Power Contact.....	220 Vrms

How To Order

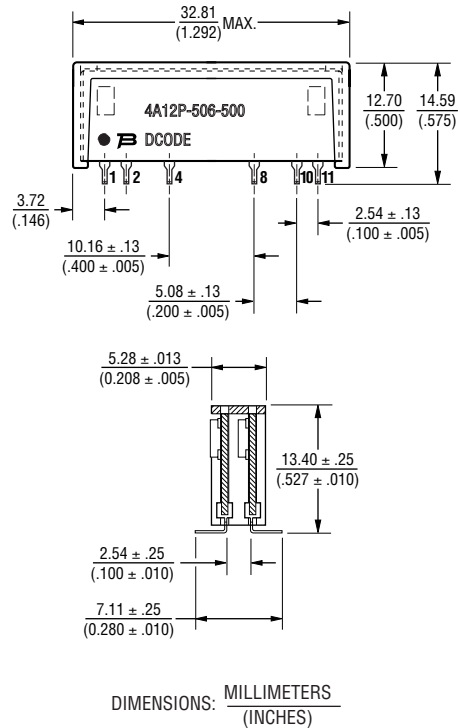
4A 12 P - 506 - 500 LF

Model _____	4A = Surface Mount
Number of Pins _____	12
Physical Configuration _____	P
Electrical Configuration _____	506 = Matched Pair of Resistors plus Thermal Fuse
Resistance Code _____	500 = 50 Ω
RoHS Compliant Option _____	LF = RoHS Compliant Product

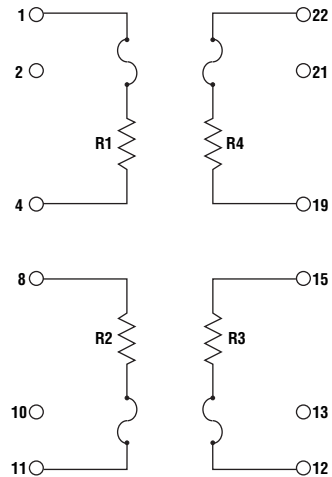


Asia-Pacific: TEL +886- (0)2 25624117 • FAX +886- (0)2 25624116
 Europe: TEL +41-41 7685555 • FAX +41-41 7685510
 Americas: TEL +1-951 781-5500 • FAX +1-951 781-5700
www.bourns.com

Product Dimensions



Electrical Schematic



*RoHS Directive 2002/95/EC Jan 27, 2003 including Annex.
 Specifications are subject to change without notice.
 Customers should verify actual device performance in their specific applications.